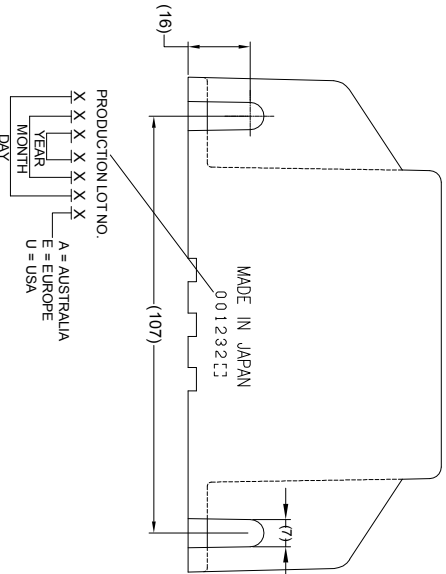
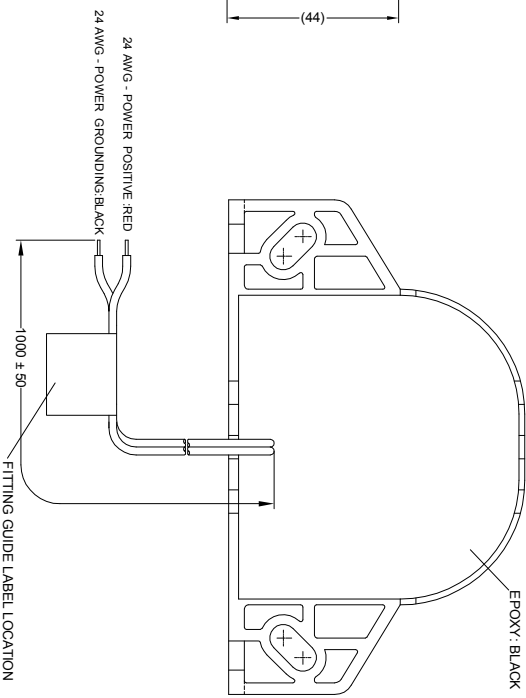
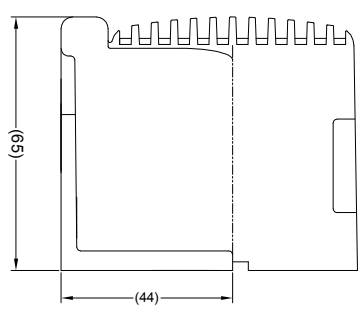
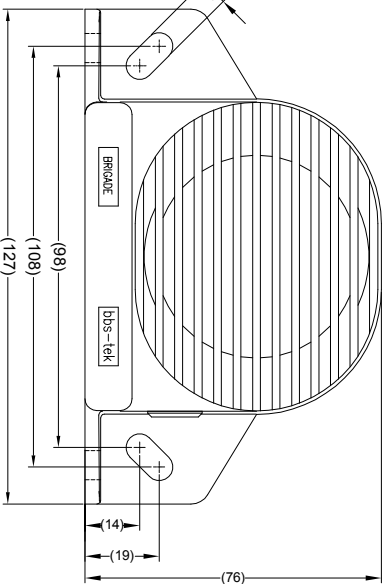
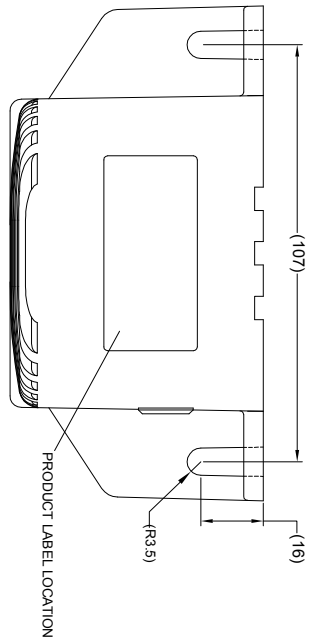


Revision Notes			
R1 - DRAWING UPDATED TO INCLUDE LABEL DETAILS IN NOTES, STANDARDS UPDATED AS PER 01553.	APR: KILDA	Drawn: RBATES	Checked: A.FEDERIGHI
			Approved: GPLITH
			Date: 21/01/14
R2 - NOTES UPDATED TO INCLUDE LABEL DETAILS AS PER IEC CR-A274.	APR: KILDA	Drawn: RBATES	Checked: M.BUTLER
			Approved: GPLITH
			Date: 28/08/14



- SPECIFICATION:**
- 1) RATED VOLTAGE: 36 ~ 84 VOLTS DIRECT CURRENT (WORKING VOLTAGE RANGE 28 ~ 94 VOLTS)
 - 2) RATED CURRENT: 0.150 AMPERES OR LESS.
 - 3) SOUND PRESSURE: 97±4 DECIBELS AT TEST VOLTAGES OF 42-94 VOLTS. (AS MEASURED AT A HEIGHT OF 1.2 METERS ABOVE THE GROUND)
 - 4) INTERMITTENCE: 80±10 CYCLES PER MINUTE AT TEST VOLTAGES OF 42-94 VOLTS.
 - 5) TONE: WHITE SOUND (BBS-TEK)
 - 6) ENVIRONMENTAL TEST TO SAE-J994.

- NOTES:**
1. MATERIAL HOUSING: ACRYLONITRILE ETHYLENE STYRENE (AES) PLASTIC.
 2. FOR PRODUCT LABEL REFER TO LATEST REVISION OF DRAWING BE-002833-XX-14.
 3. FOR GIFT BOX LABEL REFER TO LATEST REVISION OF DRAWING BE-002834-XX-14.
 4. "R TRIANGLE" INDICATES CHANGES MADE TO REVISION OF DRAWING AS IDENTIFIED IN REVISION NOTES.

PROPRIETARY NOTICE
 THIS DESIGN AND TECHNICAL INFORMATION APPEARING ON THIS DRAWING IS THE PROPERTY OF BRIGADE ELECTRONICS, AND IS DISCLOSED IN CONFIDENCE. IT IS NOT TO BE COPIED, REPRODUCED, REVEALED TO OR EXPLOITED BY OTHERS, EITHER IN WHOLE OR IN PART WITHOUT THE EXPRESS WRITTEN CONSENT OF BRIGADE ELECTRONICS.

BRIGADE®
 www.brigade-electronics.com

 Third Angle	Assembly Pl Approval KILDA - 21/01/14	Approved by DKERAL	Checked by DKERAL	Drawn by DKERAL
	Status RELEASED	Units mm	Scale N/A	Released 18/02/05
	Part No #1403			Date BE-000397-02-04

